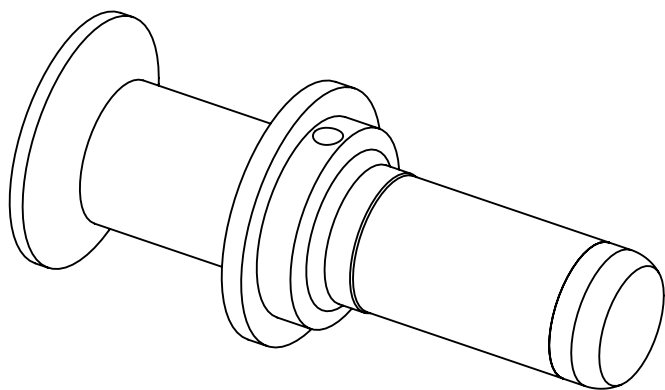
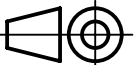



assembly notes see catalog  
 crimp zone acc. to DIN EN 46235, indicator 12  
 for stranded fine wire acc. to BDE 0295 class 5/ IEC 60228 class 5  
 wire gauge: 25 mm<sup>2</sup>  
 stripping length: 20 mm



	All Dimensions in mm Original Size DIN A4		Scale 2:1	Free size tol.		Ref.		
						Sub.		
	All rights reserved		Created by HELLMANN	Inspected by NICHTERLEIN	Standardisation SAP_WFRT	Date 2022-10-12	State Final Release	
	Department EL PD		Title Han TC200 M-contact 25mm <sup>2</sup> protected				Doc-Key / ECM-Nr. 100576204 / UGD/001/B 500000224.980	
HARTING D-32339 Espelkamp			Type TB	Number 09 11 000 7120			Rev. B	Page 1/1